

SIEMENS

Ingenuity for life



Compact Modular Recloser (CMR)

Intelligent. Compact. Self-powered by Voltage.

[siemens.com/compact-recloser](https://www.siemens.com/compact-recloser)

Providing the lowest cost of ownership for sites requiring fundamental protection and switching applications.

The CMR approaches overhead distribution protection in a new way. Its unique design provides fundamental protection and monitoring capabilities for multi-phase recloser applications. Without requiring auxiliary power supply, it is suitable for urban and rural networks. The system features an integrated controller in the pole top switch, eliminating the need for a separate control cubicle and associated cabling. Intuitive configuration, installation, operation and wireless access ensure maximum operator safety and usability. Fully rated for voltage systems up to 27 kV, the CMR is designed to deliver a 25-year uninterrupted service life^(a). This electronically controlled recloser presents itself as the most economical option on the market.



Key Features

Fully integrated self-powered system:

- Power supply using line voltage
- Rechargeable battery for back-up power
- Magnetic actuated vacuum interrupter
- Integrated protection relay and controller
- Multi-phase soft ganging without time delay

Intelligent

- Wireless connectivity
- Simple and intuitive configuration tools
- GPS time reference

- Voltage and current measurement
- Fault passage indication (FPI)
- Comprehensive event log
- Full range of TCC curves
- SCADA capability (future, with addition of pole mounted remote control unit)

Compact

- Light weight: 85 kg (three-phase models)
- Simple and quick to install

This clever, fully integrated system makes pole mounted control cabinets, connecting cables and auxiliary supplied obsolete; resulting in lower investment cost and a faster ROI.

Contact us via fusesaver.au@siemens.com to receive more information

Compact Recloser Ratings

Type tested according to IEC 62271-111 / IEEE C37.60

Rating Description	Model ^(b)				
Rated maximum voltage	kV	12	17.5	27	27
Rated power frequency withstand – dry	kV	28	50	60	60
Rated impulse withstand voltage	kV	95	110	125	150
Switch Unit Parameters	Rating				
Rated frequency	Hz	50/60			
Rated continuous current	A	630 (800 ^(c))			
Rated short time withstand current	kA	12.5			
Rated peak withstand current	kA	32.5			
Rated duration of short circuit	s	3			
Rated symmetrical interrupting current	kA	12.5			
Rated symmetrical fault making current	kA	12.5			
Rated operating sequence		O – 0.3s – CO – 2s – CO – 2s – CO			
Clearing time	ms	<50 ms			
Rated line charging interrupting current	A	5			
Rated cable charging interrupting current	A	25			
Minimum number of operations at rated short circuit current		70			
Minimum number of load break operations at rated current/mechanical operations		10,000			
IP rating		67			
Service Environment	Rating				
Operating temperature range		–40 ^(d) to +55°C			
Humidity		0 to 100%			
Maximum altitude		4,000m ^(e)			
Pollution class		Very Heavy			

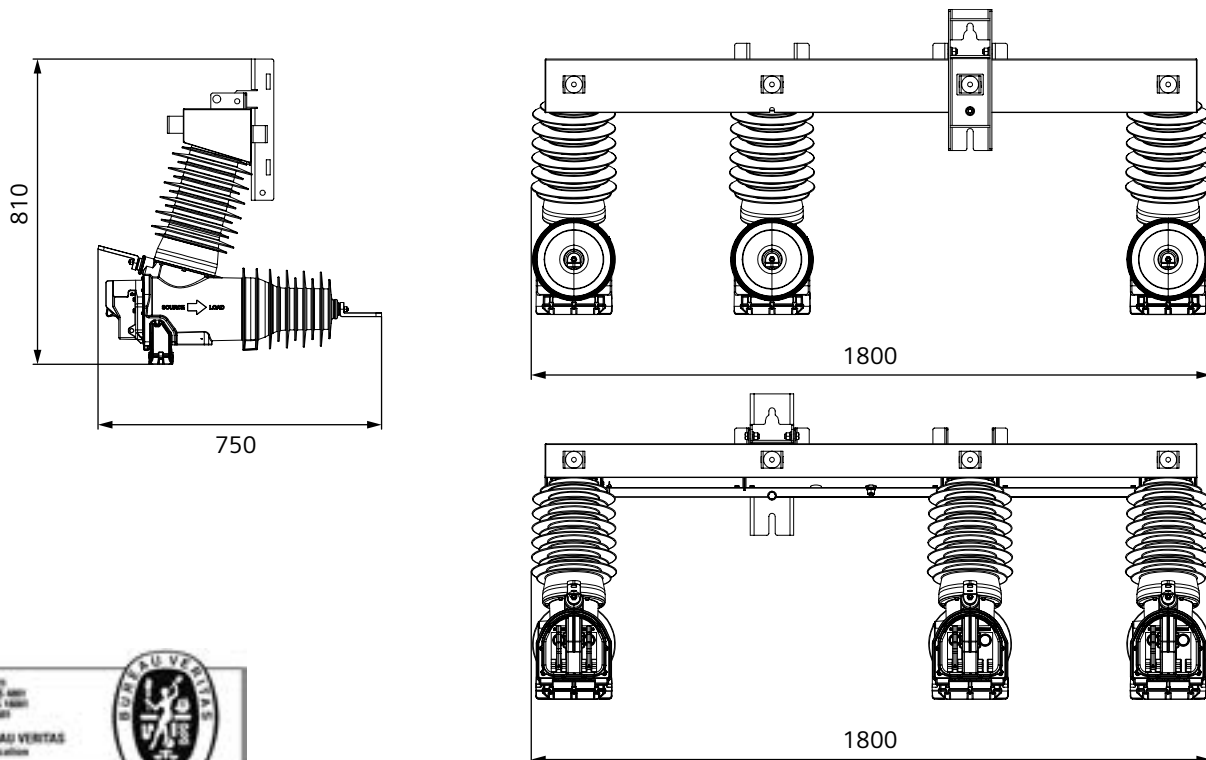
(a) Excludes routine battery replacements every eight years.

(b) Correct model must be selected for the applicable system voltage (27kV model cannot be used on a 12kV network).

(c) Applicable with maximum temperature of 40 °C.

(d) Reclose intervals must be extended at temperatures below –35°C.

(e) De-rating required above 1,000m.



Dimensions are in millimetres